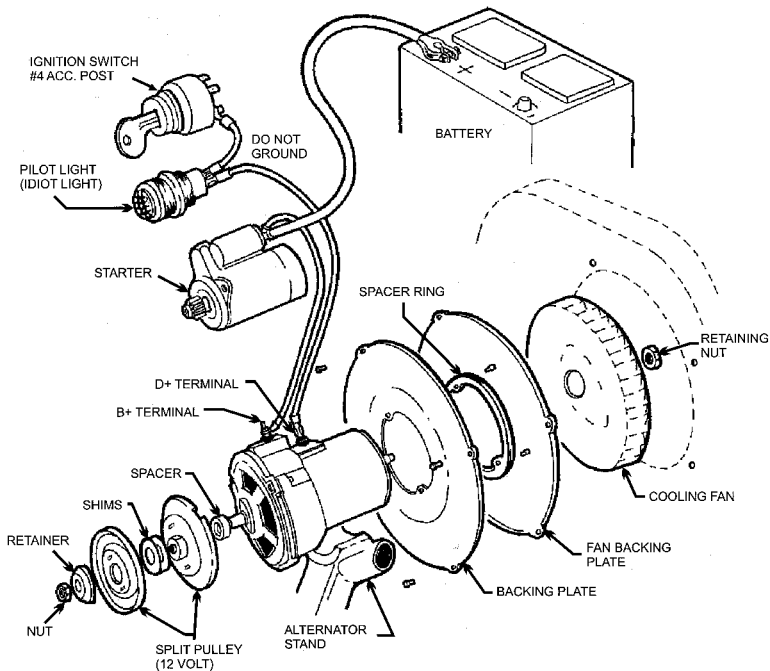


ALTERNATOR WIRING GUIDE



Generator/Alternator swap in a 12 volt car. At the alternator, small green wire to D+, large red wire to B+. Under the rear seat, remove the regulator and splice - small green wire to small blue wire: (generator light), large red wire from alternator to other red wires, (ignition switch lead and + battery lead). Generator dash light must work or alternator will not charge.

CB Performance Products, Inc.

1715 N. Farmersville Blvd., Farmersville, CA 93223

(209)733-8222 - Fax(559)733-7967 - www.cbperformance.com

e-mail: info@cbperformance.com